

## 1.1.2.6 Medium - High Power Fan Cooled Thermal Sensors

### 5W to 1100W

#### Features

- High powers and energies, large apertures
- Fan cooled
- Up to 1100W
- Ø65mm aperture

FL600A-BB-65 / FL1100A-BB-65



FL600A-LP2-65 / FL1100A-LP2-65



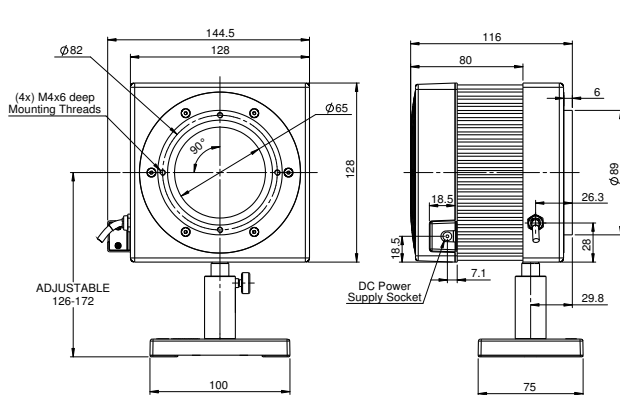
Model	FL600A-BB-65	FL600A-LP2-65	FL1100A-BB-65	FL1100A-LP2-65
Use	General purpose	Long pulses	Highest power fan cooled	Long pulses
Absorber Type	Broadband	LP2	Broadband	LP2
Spectral Range $\mu\text{m}$	0.19 - 11	0.35 - 2.2	0.19 - 11	0.35 - 2.2
Absorption	~88%	>94% from 0.35 to 1.1 $\mu\text{m}$	~88%	>94% from 0.35 to 1.1 $\mu\text{m}$
Aperture mm	Ø65mm	Ø65mm	Ø65mm	Ø65mm
Power Mode				
Power Range	5W - 600W	5W - 600W	5W - 1100W	5W - 1100W
Power Scales	600W / 60W	600W / 60W	1100W / 500W / 50W	1100W / 800W / 80W
Power Noise Level	200mW	200mW	200mW	200mW
Maximum Average Power Density kW/cm <sup>2</sup>	12 at 150W 7 at 600W	33 at 150W 11 at 600W	8 at 500W 5.5 at 1100W	33 at 150W 11 at 600W 9 at 1100W
Response Time with Meter (0-95%) typ. s <sup>(c)</sup>	4	4	4	4
Power Accuracy +/-%	3	3 <sup>(b)</sup>	3	3 <sup>(b)</sup>
Linearity with Power +/-%	1.5	1.5	1.5	1.5
Energy Mode <sup>(a)</sup>				
Energy Range	600mJ - 600J	600mJ - 600J	600mJ - 600J	600mJ - 1000J
Energy Scales	600J / 60J / 6J	600J / 60J / 6J	600J / 60J / 6J	1000J / 600J / 60J / 6J
Minimum Energy mJ	600	600	600	600
Maximum Energy Density J/cm <sup>2</sup>				
<100ns	0.3	0.1	0.3	0.1
1 $\mu\text{s}$	0.4	0.9	0.4	0.9
0.5ms	4	50	4	50
2ms	10	130	10	130
10ms	30	400	30	400
Cooling	fan	fan	fan	fan
Fiber Adapters	Consult Ophir representative	Consult Ophir representative	Consult Ophir representative	Consult Ophir representative
Weight kg	2.4	2.4	2.4	2.6
Compliance	CE, China RoHS	CE, China RoHS	CE, China RoHS	CE, China RoHS
Version				
<b>Part Number</b>	<b>7Z02762</b>	<b>7Z02779</b>	<b>7Z02761</b>	<b>7Z02784</b>

Notes: (a) It is recommended to measure energy with the fan off.

Notes: (b) Above 1.1 $\mu\text{m}$  there is an additional calibration uncertainty of up to 2%.

Notes: (c) Time to reach 98% of final reading is ~30s, 99% within ~2minutes. This time may be longer at low powers less than 20W.

FL600A-BB-65 / FL600A-LP2-65



FL1100A-BB-65 / FL1100A-LP2-65

