



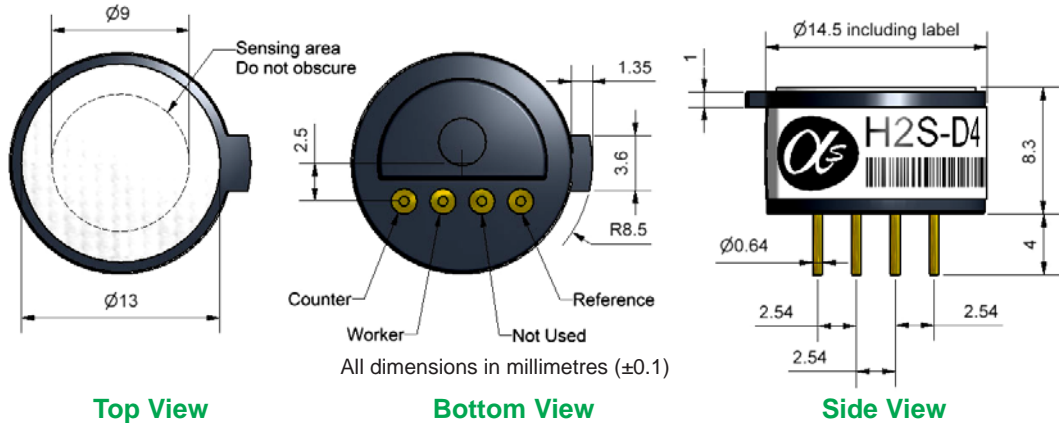
# H2S-D4 Hydrogen Sulfide Sensor

## Miniature Size



PATENTED

Figure 1 H2S-D4 Schematic Diagram



Top View

Bottom View

Side View

(A three pin version is available on request, coded H2S-D1)

<b>PERFORMANCE</b>	Sensitivity	nA/ppm 20ppm H <sub>2</sub> S	110 to 170
	Response time	t <sub>90</sub> (s) from zero to 20ppm H <sub>2</sub> S	< 25
	Zero current	ppm equivalent in zero air	< $\pm 1$
	Resolution	RMS noise (ppm equivalent)	< 0.2
	Range	ppm H <sub>2</sub> S limit of performance warranty	100
	Linearity	ppm error at full scale, linear at zero and 20ppm H <sub>2</sub> S	< $\pm 6$
	Overgas limit	maximum ppm for stable response to gas pulse	200
<b>LIFETIME</b>	Zero drift	ppm equivalent change/year in lab air	< 0.2
	Sensitivity drift	% change/year in lab air, monthly test	< 3
	Operating life	months until 80% original signal (24 month warranted)	> 24
<b>ENVIRONMENTAL</b>	Sensitivity @ -20°C	% (output @ -20°C/output @ 20°C) @ 20ppm	75 to 90
	Sensitivity @ 50°C	% (output @ 50°C/output @ 20°C) @ 20ppm	103 to 112
	Zero @ -20°C	ppm equivalent change from 20°C	< -0.3 to 0.2
	Zero @ 50°C	ppm equivalent change from 20°C	< $\pm 1$
<b>CROSS SENSITIVITY</b>	NO <sub>2</sub> sensitivity	% measured gas @ 10ppm NO <sub>2</sub>	< -25
	Cl <sub>2</sub> sensitivity	% measured gas @ 10ppm Cl <sub>2</sub>	< -25
	NO sensitivity	% measured gas @ 50ppm NO	< 12
	SO <sub>2</sub> sensitivity	% measured gas @ 20ppm SO <sub>2</sub>	< 20
	CO sensitivity	% measured gas @ 400ppm CO	< 1.5
	H <sub>2</sub> sensitivity	% measured gas @ 400ppm H <sub>2</sub>	< 1
	C <sub>2</sub> H <sub>4</sub> sensitivity	% measured gas @ 400ppm C <sub>2</sub> H <sub>4</sub>	< 0.1
NH <sub>3</sub> sensitivity	% measured gas @ 20ppm NH <sub>3</sub>	< 0.1	

### KEY SPECIFICATIONS

Temperature range	°C	-30 to 50
Pressure range	kPa	80 to 120
Humidity range	%rh (see note below)	15 to 90
Storage period	months @ 3 to 20°C (stored in sealed pot)	6
Load resistor	$\Omega$ (recommended)	10 to 47
Weight	g	< 2

**Note:** Above 85% rh and 40°C a maximum continuous exposure period of 10 days is warranted. Where such exposure occurs the sensor will recover normal electrolyte volumes when allowed to rest at lower %rh and temperature levels for several days.



At the end of the product's life, do not dispose of any electronic sensor, component or instrument in the domestic waste, but contact the instrument manufacturer, Alphasense or its distributor for disposal instructions.

**NOTE:** all sensors are tested at ambient environmental conditions, with 10 ohm load resistor, unless otherwise stated. As applications of use are outside our control, the information provided is given without legal responsibility. Customers should test under their own conditions, to ensure that the sensors are suitable for their own requirements.



# H2S-D4 Performance Data

Technical Specification

Figure 2 Sensitivity Temperature Dependence

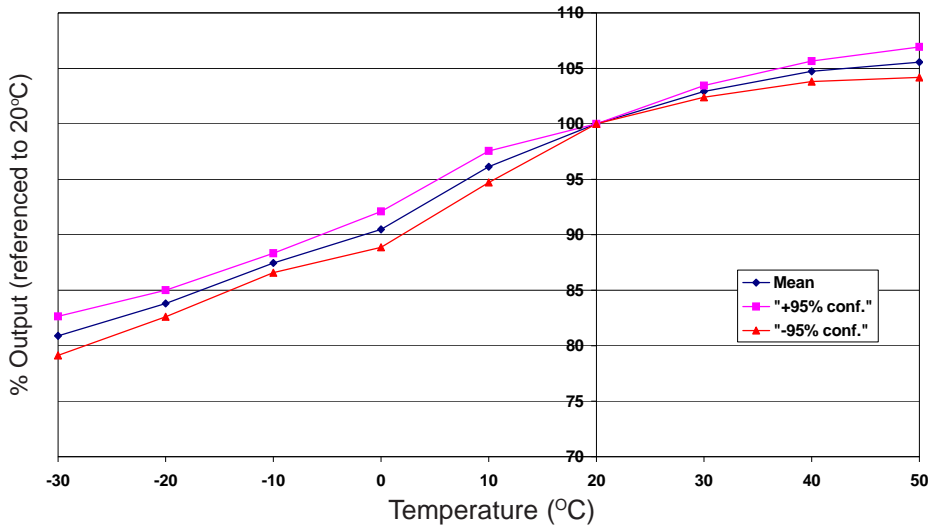


Figure 2 shows the mean and  $\pm 95\%$  confidence intervals for the variation in sensitivity caused by changes in temperature.

The repeatable temperature dependence ranges from  $-30$  to  $+50^\circ\text{C}$  allows more accurate temperature

Figure 3 Zero Temperature Dependence

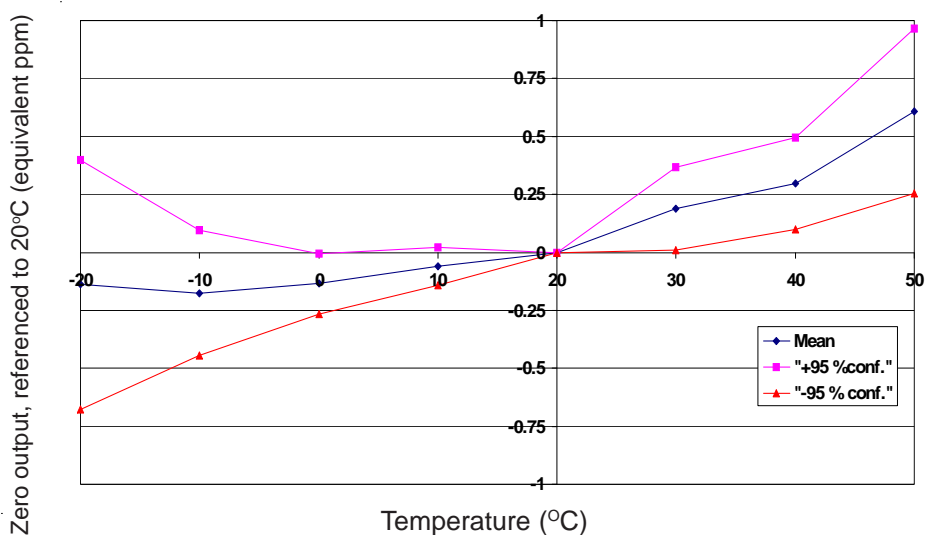


Figure 3 shows the variation in zero output caused by changes in temperature, expressed as ppm gas equivalent, referenced to zero at  $20^\circ\text{C}$ .

This data is taken from a typical batch of sensors. The mean and  $\pm 95\%$  confidence intervals are shown.

Figure 4 Sensitivity Long Term Stability

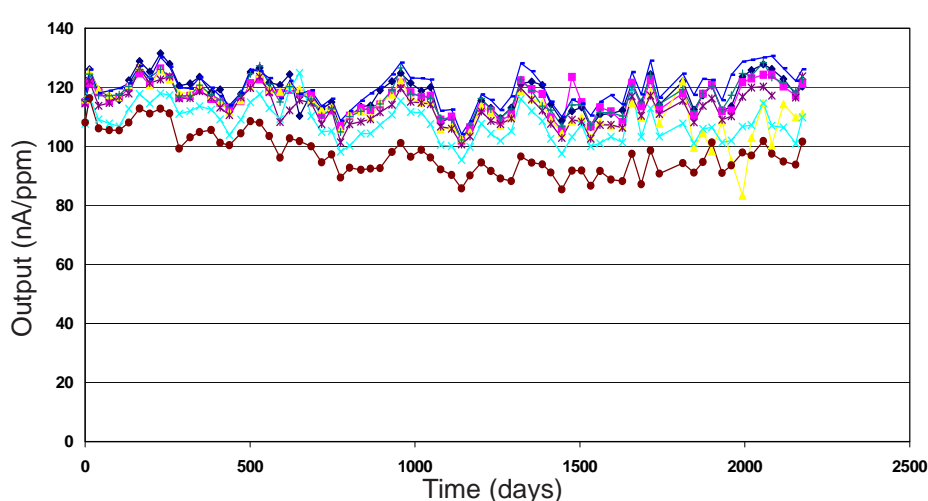


Figure 4 shows the long term stability of the H2S-D4 sensitivity in ambient air.

Continuous use at low humidities may reduce

For further information on the performance of this sensor, on other sensors in the range or any other subject, please contact Alphasense Ltd or access our web site at "[www.alphasense.com](http://www.alphasense.com)".

*In the interest of continued product improvement, we reserve the right to change design features and specifications without prior notification. The data contained in this document is for guidance only. Alphasense Ltd accepts no liability for any consequential losses, injury or damage resulting from the use of this document or the information contained within. (©ALPHASENSE LTD) Doc. Ref. H2SD4/JAN12*